

VISUAL PARACORR INSTRUCTIONS

BACKGROUND

All Newtonian/Dobsonian telescopes can benefit from using a Tele Vue Paracorr (Parabola Corrector) to eliminate coma in the image. Coma is the effect that makes off-center stars appear like little comets (it becomes more apparent as stars move closer to the edge of the field). Any Newtonian/Dobsonian telescope will benefit from the use of Paracorr, but those from f/3.5 to f/5.0 will see the greatest results. For example, the size of the diffraction-limited field expands by an incredible 36 times in area for an f/4.5 mirror! Stars at the edge of the field will improve so dramatically, that (using top-notch Tele Vue eyepieces) the image will look the same anywhere in the field. It also prevents faint stars from disappearing at the edge of the eyepiece field. This is not only aesthetically pleasing, but it also greatly reduces the need to constantly nudge the scope to keep the object centered in the "sweet spot." Paracorr essentially makes an f/4 scope perform like an f/8. Just insert it into your 2" focuser like a 2" Barlow (it has a 15% [1.15x] magnification factor) and add Tele Vue eyepieces to suit your needs. It's a recipe for perfection, when you use Tele Vue eyepieces.



This model Paracorr has the largest lenses possible to prevent any vignetting, even when using the 31mm Nagler Type 5. The tunable top permits positioning all Tele Vue eyepieces for optimum performance (see eyepiece position chart below).

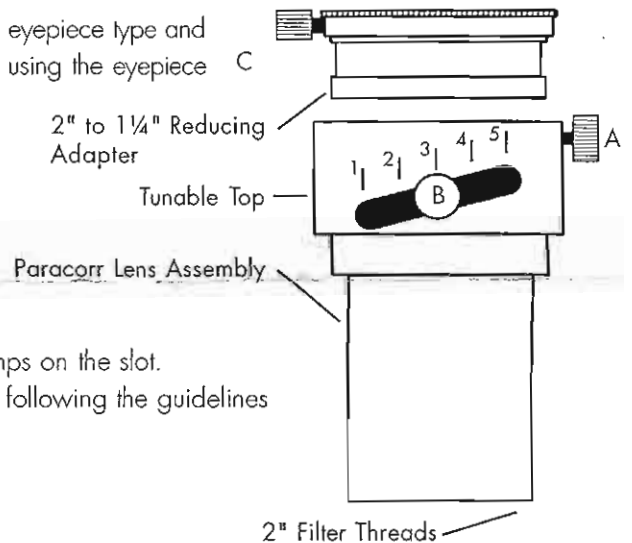
INSTALLATION

Paracorr simply slips into your focuser like a 2" Barlow. Depending on eyepiece type and setting, you will need just 3/8" to 3/4" focuser in-travel compared to using the eyepiece alone.

USE

For 2" Eyepieces:

- 1) Make sure eyepiece lock screw (A) is loosened
- 2) Slip 2" eyepiece into the Paracorr
- 3) Tighten eyepiece lock screw (A)
- 4) To adjust for eyepiece position,
 - A) slightly loosen the height adjustment lock knob (B) that clamps on the slot.
 - B) Rotate the outer barrel to adjust the height of the eyepiece, following the guidelines in the eyepiece position chart below.
 - C) Tighten the height adjustment lock knob (B).



For 1 1/4" Eyepieces:

- 1) Slip the 2" to 1 1/4" reducing adapter into the Tunable Top and tighten lock screw (A).
- 2) Place the eyepiece in the adapter and tighten the lock screw (C)
- 3) Follow the adjustment procedures outlined above in step 4.

NOTE: Focus telescope after properly setting the eyepiece position. Do not accidentally use the tuning feature for focussing.

CAUTION: Avoid using 1 1/4" Barlows unless you are certain the barrel will not contact the Paracorr lens.

However, you can use the 1 1/4" Powermates safely in the 1 1/4" adapter.

EYEPIECE POSITION CHART

Set at mark 1	Set at mark 3	Set at mark 4	Set at mark 5	Set at mark 5
2" Eyepieces	2" Eyepieces	1 1/4" Eyepieces	2" Eyepieces	1 1/4" Eyepieces
20mm Nagler Type 2	26mm Nagler Type 5	All Radians	31mm Nagler Type 5	16mm Nagler Type 2**
20mm Nagler Type 5	17mm Nagler Type 4	All Plössls through 32mm	22mm Nagler Type 4	12mm Nagler Type 2**
13mm Nagler* (original)		All 1 1/4" only Naglers (original, Type 5 & Type 6)		12mm Nagler Type 4**
22mm*, 27mm, 35mm, & 41mm Panoptic		15mm, 19mm & 24mm Panoptics		9mm Nagler** (original)
		All Tele Vue Zooms		

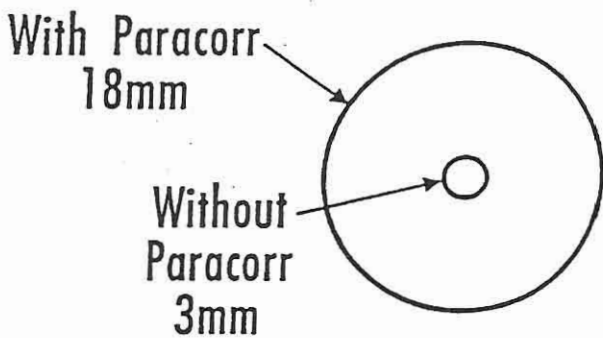
* Use only in 2" mode as listed for best correction.

** Use only in 1 1/4" mode as listed for best correction.

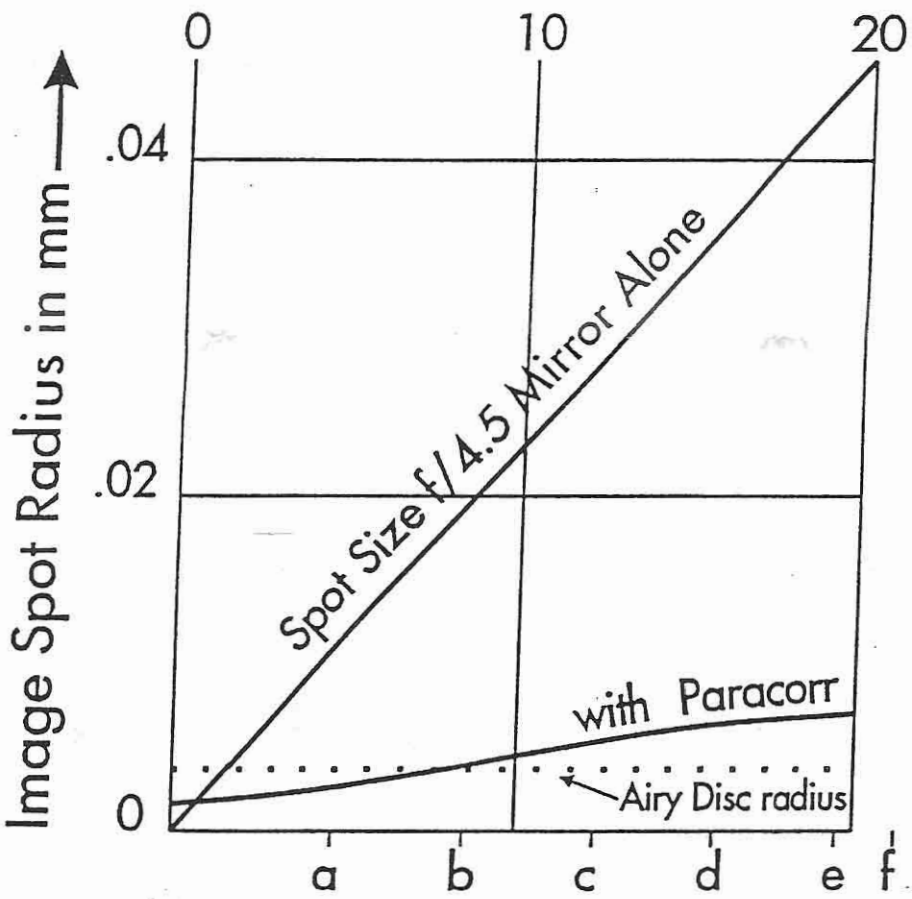


32 Elkay Dr., Chester, New York 10918 (845) 469-4551 www.televue.com

Paracorr Increases
Diffraction Limited Field
From 3mm Dia. to 18mm Dia.



Semi-Field in mm



Typical eyepiece field limits:

a = 7mm N c = 17mm N4

b = 12mm N4 d = 22mm N4

e = 35mm PAN f = 31mm N5